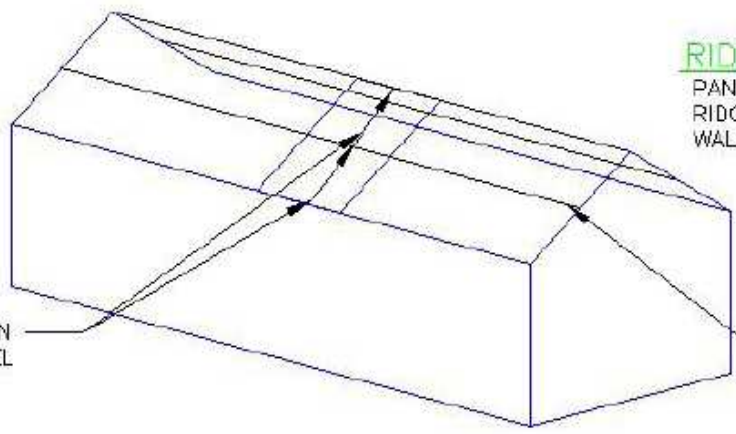


**RAFTERS SYSTEM**

PANELS SUPPORTED BY RAFTERS SPANNING FROM THE RIDGE BEAM TO THE EAVE WALLS.

PANEL SPAN  
ROOF PANEL

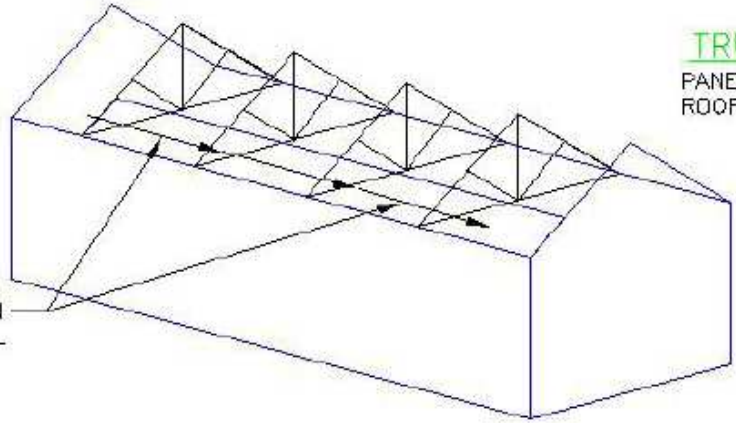


**RIDGE BEAM SYSTEM**

PANELS SUPPORTED BY THE RIDGE BEAM AND THE EAVE WALLS.

PANEL SPAN  
ROOF PANEL

MID-SPAN BEAMS  
MAY BE REQ'D.



**TRUSS SYSTEM**

PANELS SUPPORTED BY ROOF TRUSSES

PANEL SPAN  
ROOF PANEL

**Greenix<sup>®</sup> Panels**

**Greener. Cleaner. Safer. Stronger**

SIP SUPPLY, LLC  
P. O. Box 671032  
MARIETTA, GA 30066  
1-770.776.6198  
<http://SIPsupply.com>

This document is an instrument of service, and as such, remains the property of SIP Supply, LLC. Permission for use can be extended only by written agreement with SIP Supply, LLC.  
COPYRIGHT 2003